

Sensor-switched LED indoor light - Professional Line

# RS PRO DL 150 SC

with motion detector & Bluetooth  
 EAN 4007841 084998  
 Article number 084998



Hochfrequenz  
Sensor 360°



Max. ø 7 m



Einstellungen via  
App



Softlichtstart



15 - 100%  
Grundlicht



15 - 100%  
Hauptlicht



IP54 raumseitig



Betriebsgerät nicht  
austauschbar



Lichtquelle nicht  
austauschbar

5 years

Herstellergarantie  
steinel-  
professional.de/  
garantie

## Function description

174 mm and 230 mm indoor downlights with a low installation height and an output of 1193 lm or 2205 lm. Ideal for stairwells, hallways, WCs, washrooms, changing rooms, utility rooms and side rooms. Equipped with a 360° high-frequency sensor (ø 7 m range) and the latest Bluetooth Mesh technology. For intelligent light controls at STEINEL level. Quick, wireless connection and configuration, as well as grouping of lights via the STEINEL Connect App. With soft light start, neighbouring group function, dimmable basic light and main light, and colour temperature change function (3000 K, 4000 K, 5700 K). Mounting height: max. 4 m. Thanks to a practical mounting adapter, oversized mounting holes from previously installed lights are no problem (available from Q2/2023).

## Technical specifications

Dimensions (Ø x H)	174 x 73 mm
With lamp	Yes, STEINEL LED system
With motion detector	Yes
Manufacturer's Warranty	5 years
Settings via	Smartphone, App, Bluetooth
Version	with motion detector & Bluetooth
PU1, EAN	4007841084998
Application, place	Indoors
Application, room	corridor / aisle, function room / ancillary room, WC / washroom, changing room, stairwell, kitchenette, reception / lobby, Indoors
Colour	white
Installation site	ceiling
Installation	Ceiling, In-ceiling installation
Impact resistance	IK05

Functions	Connection to central battery systems, DIM function, Adjustable fade time when switching on and off, Color temperature change, Free selection of the light value in a luminaire group, Group parameterisation, Light sensor, Neighbouring group function, Orientation light, Encrypted communication
Twilight setting	2 – 2000 lx
Time setting	5 s – 60 Min.
Basic light level function	Yes
Basic light level function, detail	LED effect light
Basic light level function time	5s-60 min
Main light adjustable	Yes
Interconnection	Yes
Interconnection via	Bluetooth Mesh Connect

<https://www.steinell.de>

Subject to technical modifications

04.2024 Page 1 from 3

# RS PRO DL 150 SC

with motion detector & Bluetooth  
 EAN 4007841 084998  
 Article number 084998



## Technical specifications

IP-rating	IP20
Protection class	II
Ambient temperature	-20 – 40 °C
Mains power supply	220 – 240 V / 50 – 60 Hz
Power consumption	0,5 W
Mounting height max.	4,00 m
HF-system	5,8 GHz
Slave modeselectable	Yes
Detection	also through glass, wood and stud walls
Reach, radial	Ø 7 m (38 m <sup>2</sup> )
Reach, tangential	Ø 7 m (38 m <sup>2</sup> )
Colour temperature	3000 K, 4000 K, 5700 K
Colour variation LED	SDCM3
Lamp	LED cannot be replaced
LED cooling system	Passive Thermo Control
Soft light start	Yes

Lifetime LED according to IEC-62717 (L70)	>54.000
Lifetime LED according to IEC-62717 (L80)	>54.000
Lebensdauer LED nach IES TM-21 (L70)	>54.000
Lifetime LED according to IES TM-21 (L80)	>54.000
Fuse protection B10	78
Fuse protection B16	125
Fuse protection C10	193
Fuse protection C16	209
Basic light level function in per cent	15 – 100 %
Output	10,8 W
Colour Rendering Index CRI	= 82
Photobiological safety in accordance with EN 62471	RG1
IP-rating, ceiling	IP54
Luminous flux total product (3.000K)	1109 lm
Luminous flux total product (4.000K)	1177 lm
Luminous flux total product (5.700K)	1137 lm
Total product efficiency (3.000K)	103 lm/W
Total product efficiency (4.000K)	109 lm/W
Total product efficiency (5.700K)	105 lm/W
Detection angle	360 °

## Accessories

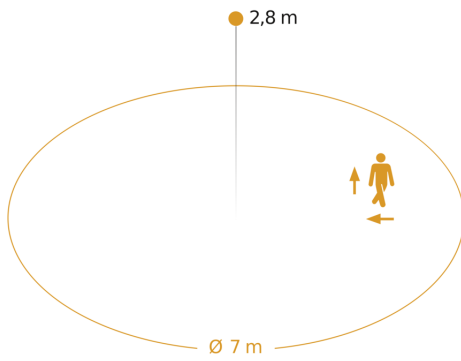
EAN 4007841 087364

Refurbishment trim for RS PRO DL 150 SC

# RS PRO DL 150 SC

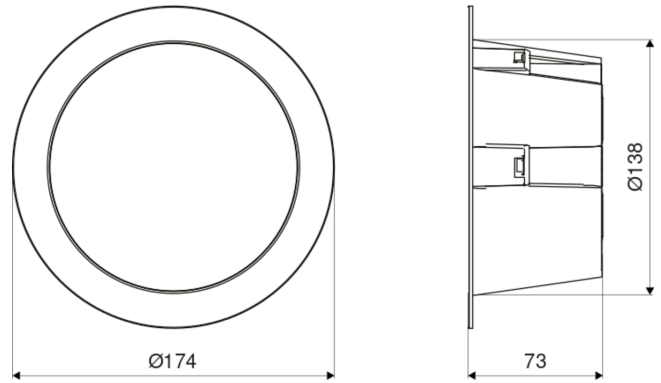
with motion detector & Bluetooth  
EAN 4007841 084998  
Article number 084998

## Detection Zone



Possible mounting height: 2,00 m - 4,00 m  
Orange: radial and tangential

## Dimension Drawing



## Master circuit diagram



## Master/master bluetooth interconnection circuit diagram

